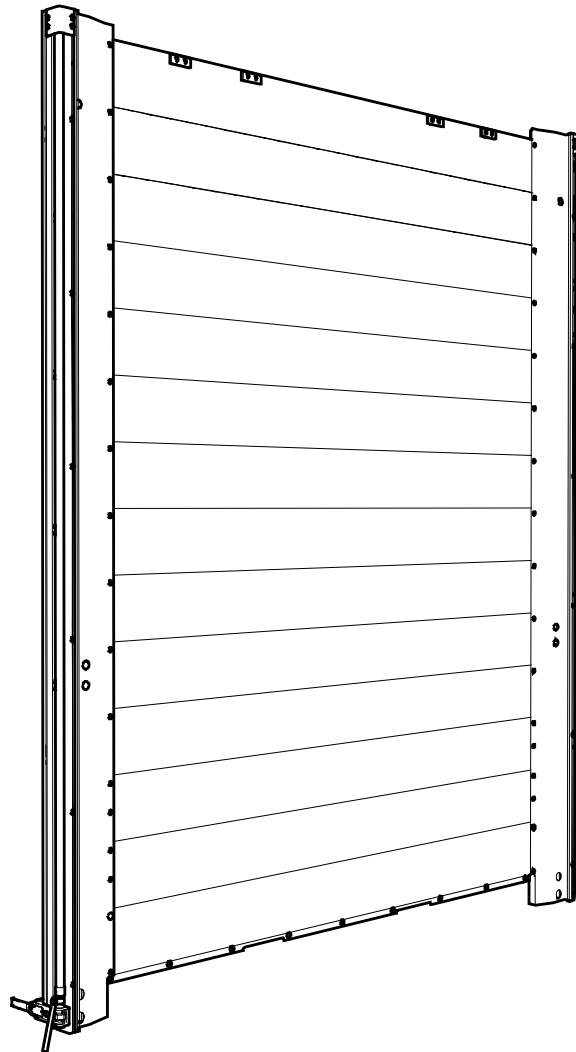


Mounting instruction front wall II



Translation of original mounting instruction

 **Contents**

1 General remarks	03
2 Safety	05
3 Mounting of stanchion and slider for front wall II	06
4 Fixation of front wal II with end profile downside	07
5 Mounting of sliders and top parts upside for standard and lift systems front wall II	08
6 Mounting of central hydraulics	09
7 Hydraulic aggregate with hand pump	13
8 Mounting of ratchet and retaining plate	14
9 Mounting of front wall support (optional)	15
10 Annexes	17

GENERAL REMARKS

Introduction to Mounting Instruction

Alteration service: Yes

Staff: According to curriculum for apprenticeship as a body and vehicle mechanic and a body and vehicle construction mechanic.

This Mounting Instruction is part of the delivery and an important help for successful mounting. Therefore, it must be available to the mechanic during the mounting works.

Furthermore, the assembly guidelines of the applicable vehicle producers must be obeyed.

Copyright:

The copyright for this mounting instruction is reserved by TSE Trailer System Engineering GmbH & Co. KG

If you need any further information, do not hesitate to contact us:

TSE Trailer System Engineering GmbH & Co. KG
Bei der Mühle 4
72365 Ratshausen

Germany

Phone: +49 (0)7427 / 92 33-0

Fax: +49 (0)7427 / 92 33-75

Email: verkauf@tse-trailersystems.de

Homepage: www.tse-trailersystems.de

Instruction and training support

As an employer, you are obliged to inform and instruct your personnel about existing legal and accident prevention regulations.

The personnel must have understood these instructions, and it must be safeguarded that the instructions are obeyed.

Only in this way you will reach safety and danger awareness of your personnel at work.

Example for training topics

1. About safety
 - Accident prevention regulations
 - General legislation
 - General safety hints
 - Measures in emergency cases
 - Personal protective equipment
2. Maintenance and repair regulations
 - Correct use of cleaning agents and lubricants
 - Special experience of the mechanic in maintenance, repair, cleaning and upkeep of the product

Hints

Attention:

The surfaces of the TSE modules must not be contaminated with caustic cleaning fluids. Cleaning fluids with the appropriate labeling are aggressive and can cause damage to all component surfaces. These should expressly not be used for gentle cleaning.

Nummer	Symbol
GHS05	corrosivity


ATTENTION!

Texts with this symbol will warn you against possible mistakes in mounting and, therefore, against potential material damages.


HINT!

Texts with this symbol will give you tips or additional information.


TIGHTENING TORQUE!

Texts with this symbol will give you necessary tightening torques.


Bohrungen setzen!

Texts with this symbol indicate the setting of holes.

Safety

General

Although our products are in accordance with the state of the art, they may pose a risk if:

- they are mounted by unskilled personnel
- they are maintained improperly

Safety hints

This safety instruction informs you about the products of TSE Trailer System Engineering GmbH & Co. KG. It contains information about maintenance and repair of the parts and their components. The service instruction has only been written for skilled personnel of qualified and authorized specialized companies in motor vehicle crafts. The service instruction is not applicable for other target groups.

We want to support specialized companies with the present mounting instruction during the mounting works with our products.

TSE Trailer System Engineering GmbH & Co. KG accepts no liability for the installation of inapplicable or unreleased parts in their products.

Defects due to wrong handling, aggressive cleaning agents use of force or subsequent changes of the delivered product or single components of it, as well as non-observance of the safety hints and consequential damages caused thereby, are not covered by our warranty.

Only use unchanged original parts and accessories supplied by the manufacturer.

We do not accept any warranty for the correctness, completeness or currency of the given information. The contents and information of this mounting instruction are neither a warranty or warranted characteristics within the meaning of German legislation, respectively the German Civil Code (Bürgerliches Gesetzbuch (BGB)), nor can they be interpreted as such.

No claims can be derived from provision of information, recommendation or consulting. Liability for damages is generally excluded as far as we are not responsible in the sense of intent or gross negligence, or as far as this does not contradict mandatory legal provisions.

Texts and graphics are subject to our rights of use; copy rights or right of distribution in any form require our agreement.

Mentioned brand names, even if they are not marked as such in every case, are still subject to the regulations of the trade mark law. If any disputes of legal nature occur from applying information found in this mounting instruction, they shall solely be subject to the regulations of German law.

The Amtsgericht Stuttgart (Local Court in Stuttgart) is deemed to be agreed on as place of jurisdiction. If some clauses of this declaration about limitation of liability do not or no longer comply with the applicable legal provisions, the validity of the other clauses shall remain unaffected thereof. Read the information in this mounting instruction carefully. Especially, obey the hints for your own safety.

All technical information, descriptions and pictures shall be valid from the day of their printing - respectively the day of any supplements hereto - on.

We reserve the right to make changes due to steady further development.

No claims can be derived from applications and explanations of this publication.

Safety hints for the technician:

Unauthorized people are not allowed to enter the vehicle and the area around it.

Your working area should be in good order.

Only works which you are commissioned and acquainted with have to be executed.

Increased caution is advisable in dangerous areas.

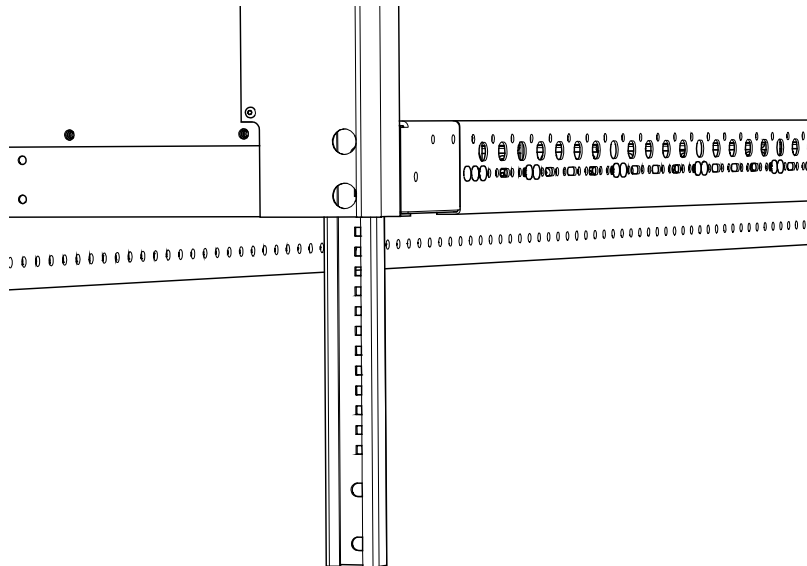
Obey the producer's information and safety hints for the applicable product when you deal with operation materials (oils, grease etc.).

Only applicable lifting devices may be used.

Mounting of stanchion and slider front wall II

1

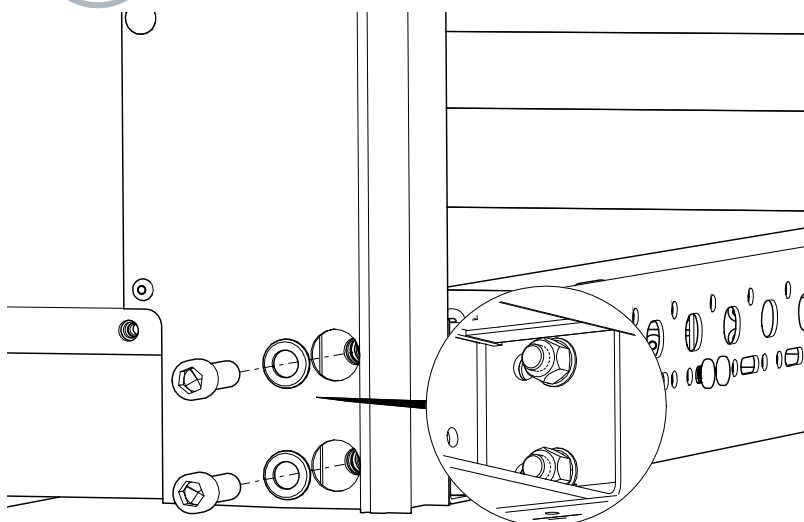
Insert the slider




Slider is included in the applicable front walls

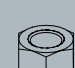
2

Screw the stanchion together




 Cylinder screw with internal hex M16x50

 Washer B17

 Hexagon nut with all-metal clamping part M16

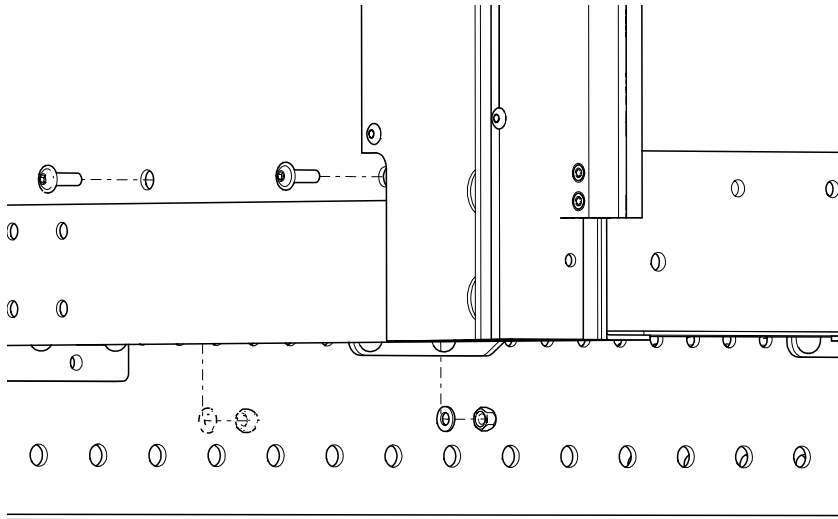
 **Torque 206 Nm**

Screws, washers and nuts have to be taken from **mounting kit TSE no.: 300-54.010**

 Stanchion part II is only needed for a construction with lift system. Part II is already mounted in this case.

Fixation of front wall II with the end profile downside

1



Fillister head screw with
Flange and internal hex
M8x25



Washer A8.4



Hexagon nut with all-metal
clamping part M8



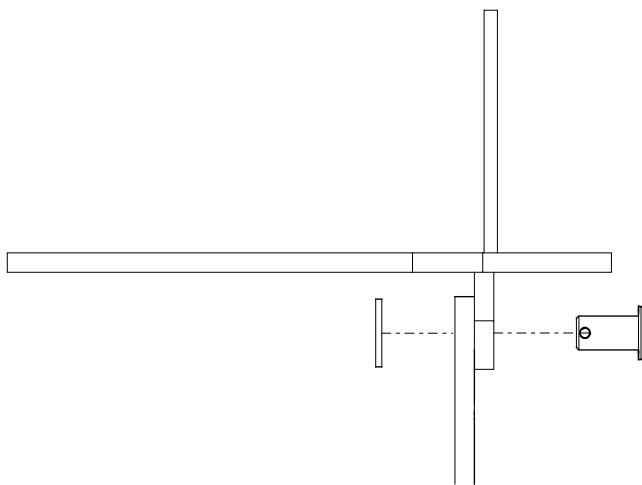
Torque 36 Nm

Screws, washers and nuts
have to be taken from
mounting kit
TSE no.: 300-54.010

Mounting of sliders and top parts upside for standard and lifting system front wall II

1

Mount the slider and top part



Bolt with head
TSE no.: 212-52.505

Washer A15
TSE no.: 000-06.392

Top part complete lift system
front side left
TSE no.: 1112629

Top part complete lift system
Front side right
TSE no.: 1112631

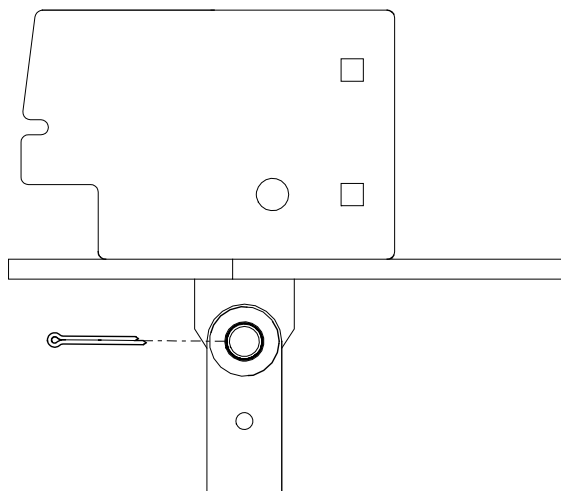
STW 2 slider complete lift
systems left
TSE no.: 1117287

STW 2 slider complete lift
systems right
TSE no.: 1117288



The mounting is depicted by
means of the CS/UK top
part!

2

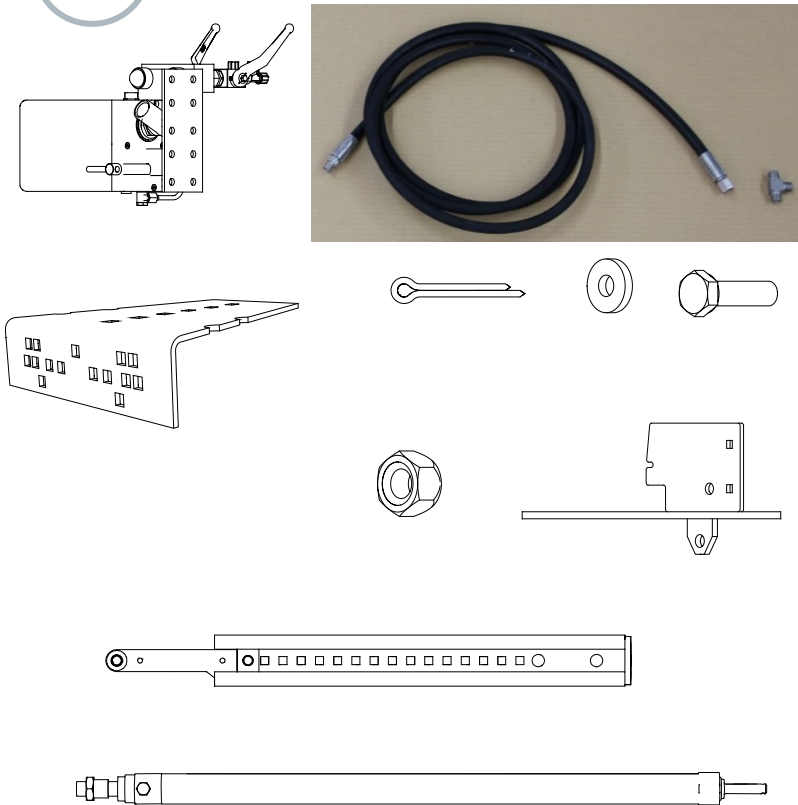


Splint
TSE no.: 212-52.506

Mounting of the central hydraulics

1

Overview material



Hoses, connectors and hydraulic cylinders have to be taken from the **applicable assembly kit**.

Top parts and sliders are part of the **applicable assembly kit** for roof connection.

2

Dismantle the protective cap



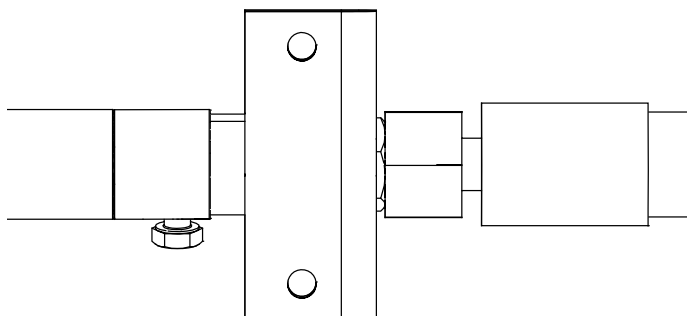
Remove the protective cap and loosen the nut.

Remove the nut and sleeve

Open-end wrench size
22 and 14

3**Mount hydraulic cylinder and hoses**

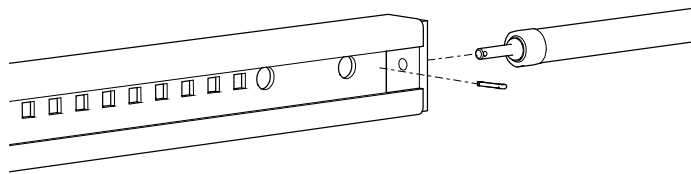
For mounting the hose the open-end wrench sizes **22** and **14** are needed.

4**Mount the cylinder admission**


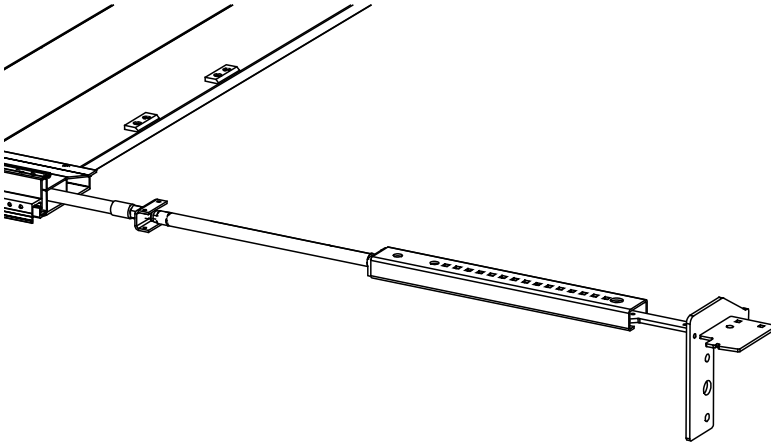
Cylinder admission
TSE no.: 210-52.105

5

Mount the hydraulic cylinder and slider



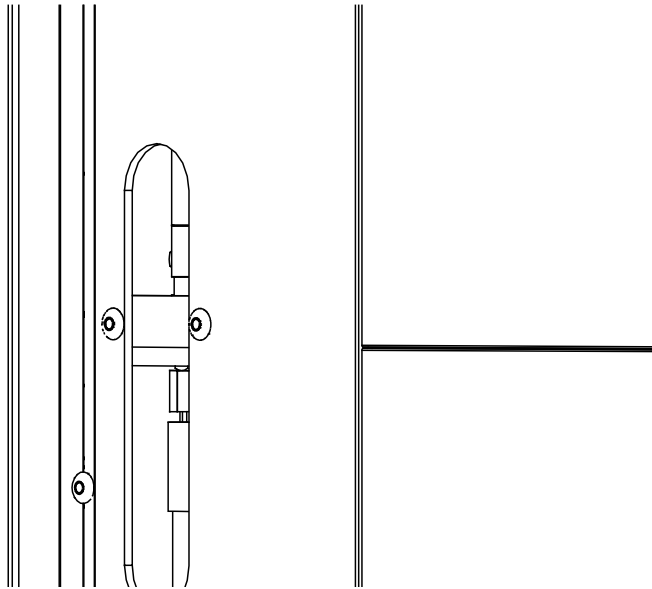
Splint
TSE no.: 000-06.394

6**Insert the top part**

Mounting the part in horizontal position is only a mounting suggestion and can differ according to conditions at customer's site.

7

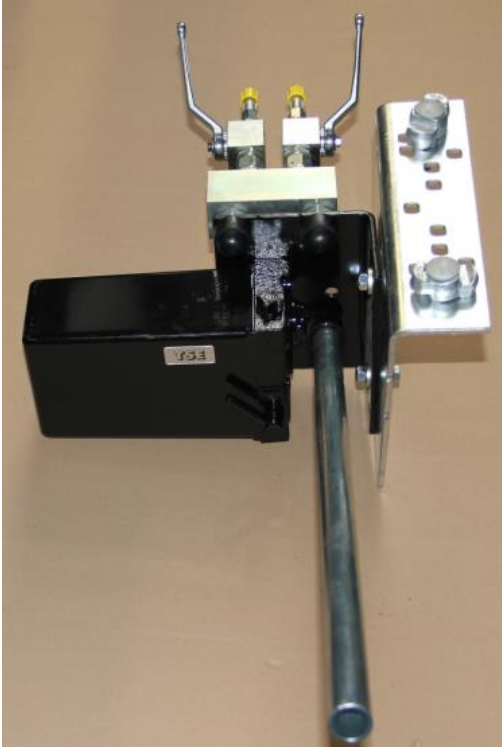
Rivet the cylinder admission



Mounting of hydraulics aggregate with hand pump

1

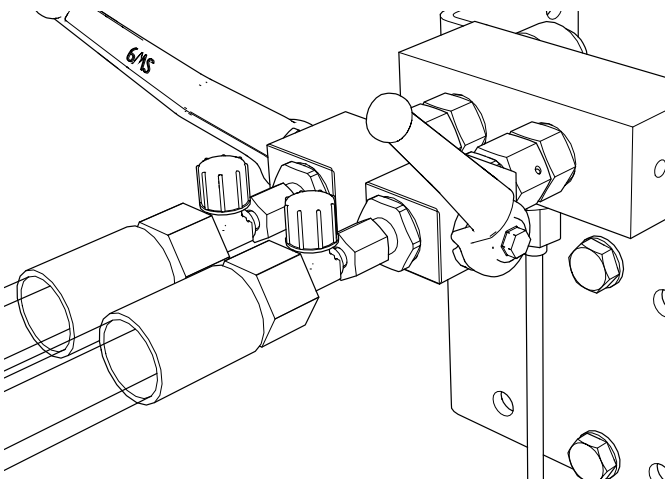
Mount the console



The mounting depends on the type of vehicle

2

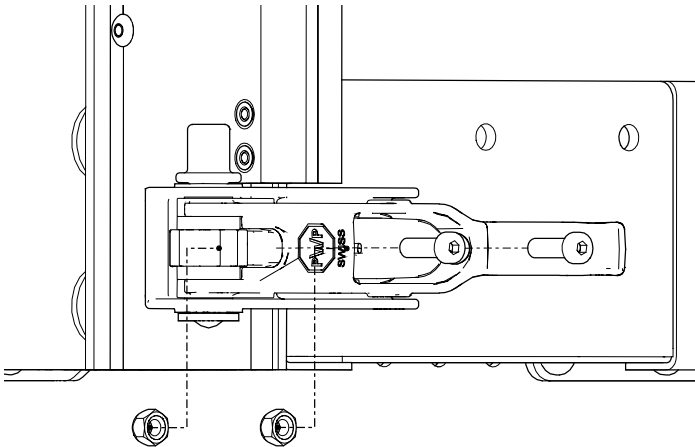
Mount the hoses





Mounting of ratchet and retaining plate

1

Mount the ratchet



 Cylinder screw M8x25

 Hexagon nut with all-metal clamping part M8

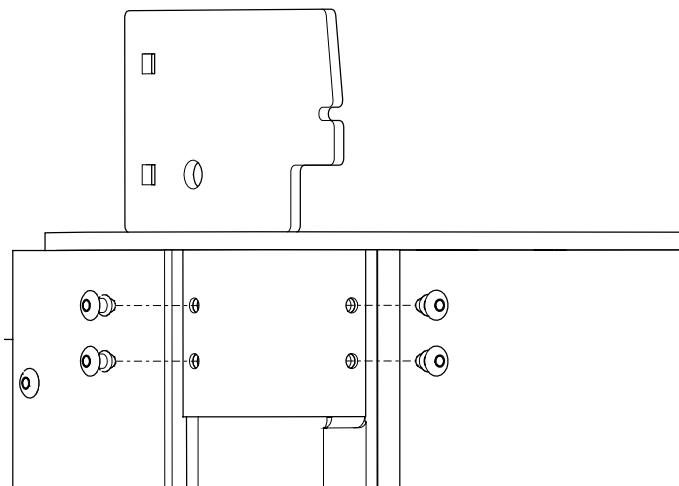



Torque 25 Nm


Ratchet, screws and nuts have to be taken from the applicable front wall

2

Mount the retaining plate



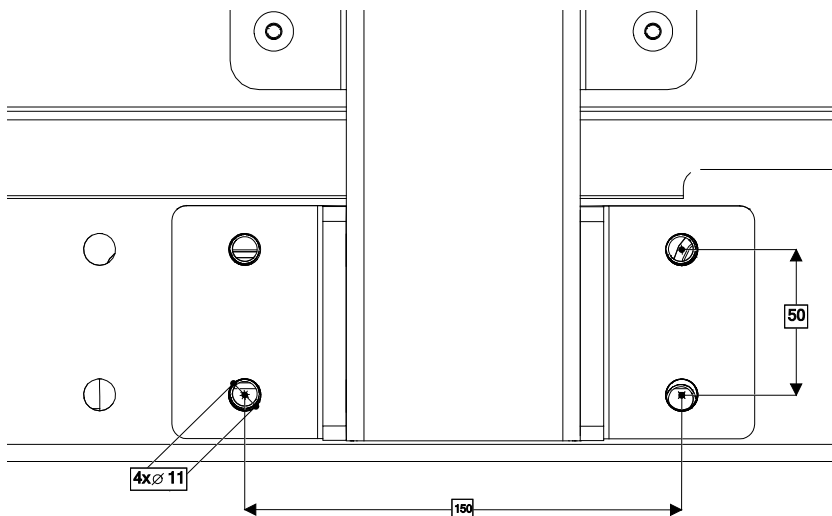
 Hemlock rivet
KL-BER6.8-8.8mm

 Hemlock rivet
KL-BER3.4-5.4mm

Rivets have to be taken from the **applicable assembly kit**.

Mounting of front wall supports (optional)

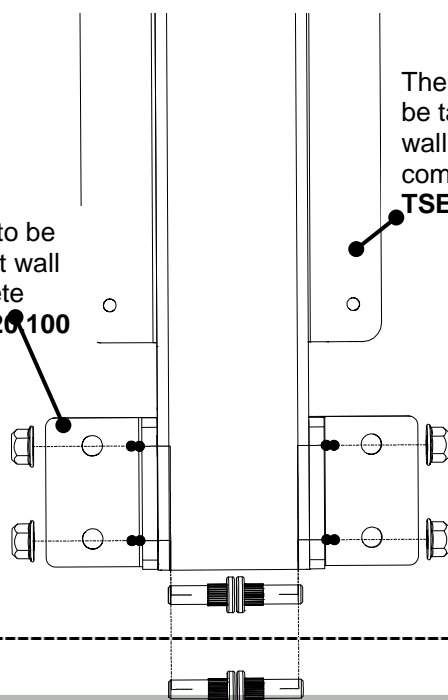
1



2

Brackets have to be taken from front wall support complete
TSE no.: 600-20.100

The hat profile has to be taken from front wall support complete
TSE no.: 600-20.100



Knurled bold M10x35



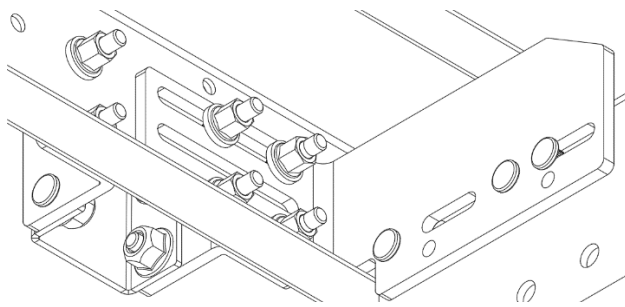
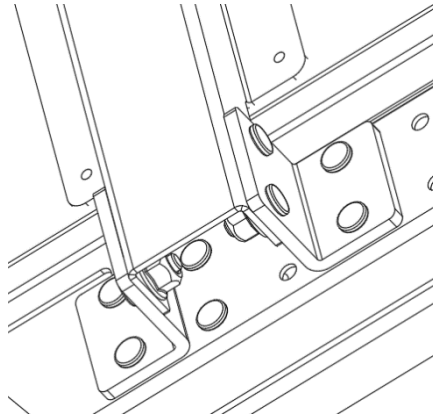
Hexagon nut with flange M10

Knurled bolt and hexagon nut have to be taken from front wall support complete
TSE no.: 600-20.100



Torque 60 Nm

3



Knurled bolt M10x42



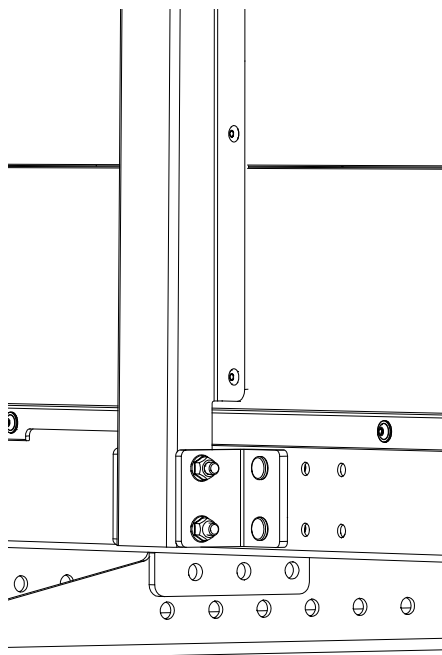
Hexagon nut with flange M10

Knurled bolt and Hexagon nut have to be taken from **front wall support complete**
TSE no.: 600-20.100



Torque 60 Nm

4



Hemlock rivet
KL-BER6.8-8.8mm

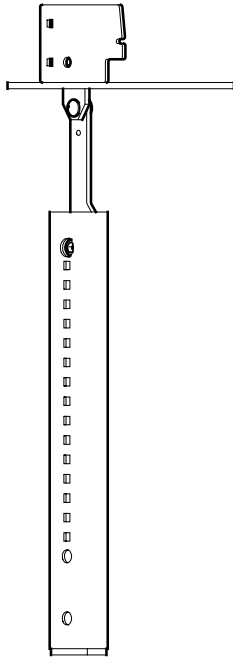
Rivets have to be taken from **front wall support complete**
TSE no.: 600-20.100

Annexes

Total overviews of top parts / sliders front wall II

1

CS and UK top

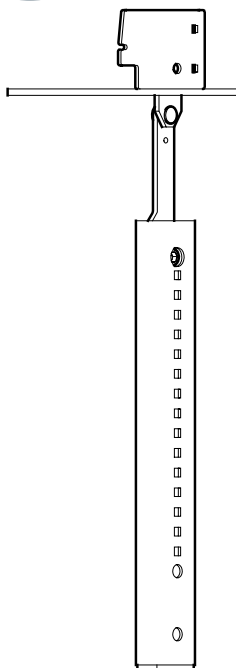


Top part front side left
TSE no.: 1112629

Slider complete left
TSE no.: 1117287

2

CS and UK top

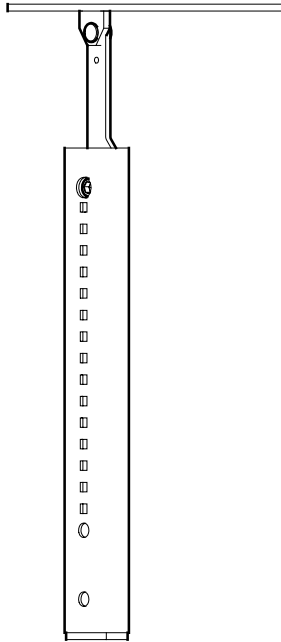


Top part front side right
TSE no.: 1112631

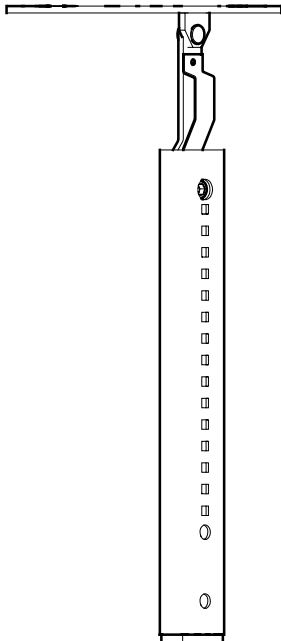
Slider complete right
TSE no.: 1117288

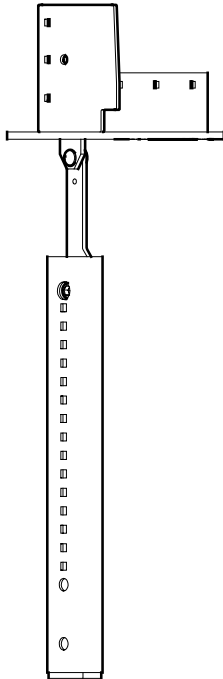
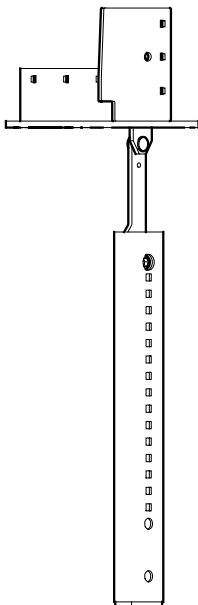
3

FLAT top

Top part complete left
TSE no.: 1286571Slider complete left
TSE no.: 1117287**4**

FLAT top

Top part complete right
TSE no.: 1286581Slider complete right
TSE no.: 1117288

5**MEGA top**Top part complete left
TSE no.: 1112564Slider complete left
TSE no.: 1117287**6****MEGA top**Top part complete right
TSE no.: 1112566Slider complete right
TSE no.: 1117288

Revision levels

Revisions level	Kind of change	Date	Name
00	New creation of mounting instruction	12 Feb 2019	Laib / Maier
01	The safety hints have been supplemented	15 May 2019	Maier
02	On page 11, the mounting step no. 5 has been amended with an information text.	05 June 2019	Laib / Maier
03	On page 14, the mounting step no. 1 has been changed the hole dimension	10.September 2019	Laib / Maier
04			
05	Anzugsdrehmomente korrigiert	29.09.2020	Boll
06	Page 17, Picture 3 changed	14.10.2020	Boll
07	Page 4 changed	23.11.2020	Boll

Erstellt	Geprüft und Freigegeben
Datum:	Datum: 29.09.2020
Name/Abt.	Name/Abt. U.Boll
Unterschrift	
Dokument: FB45120A	