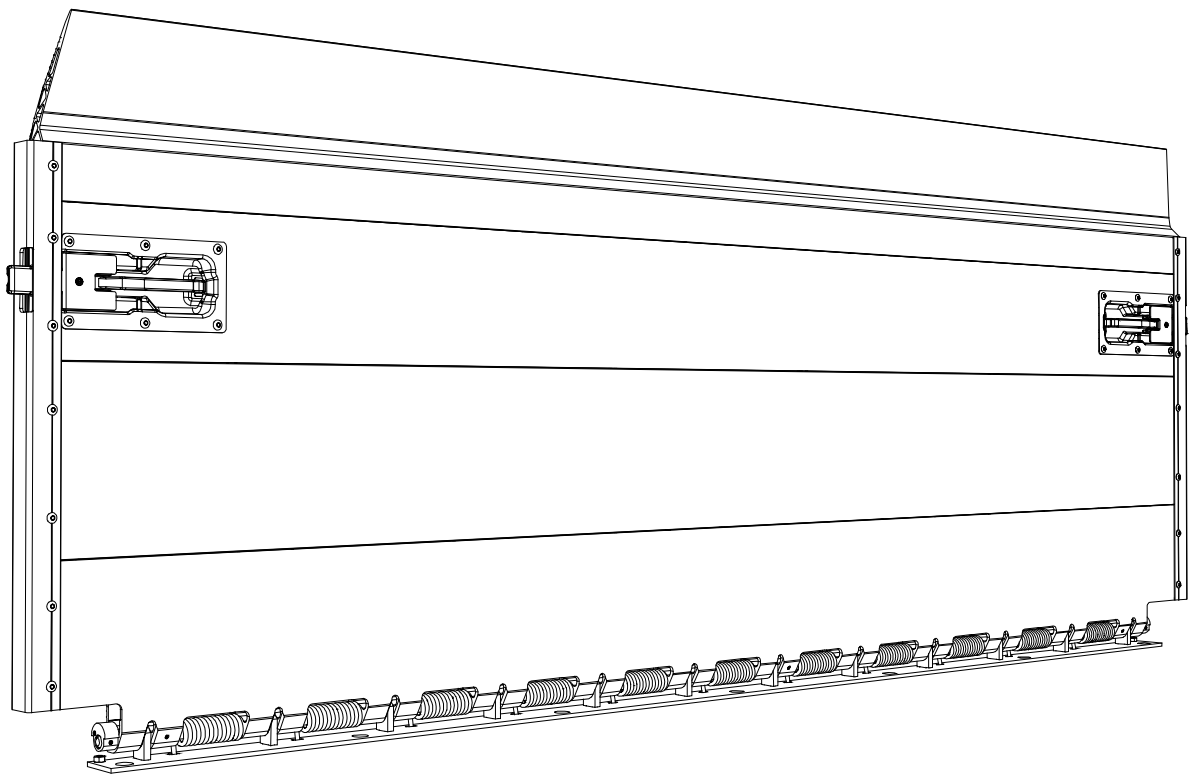


Mounting instruction Drive-over ramp



Translation of the original mounting instruction



Contents

1 General information	04
2 Safety.....	06
3 Mounting of drive-over ramp	07
4 Mounting of adjusting screw	08
5 Application of the label.....	09
6 Annexes	10

GENERAL REMARKS

Introduction to Mounting Instruction

Alteration service: Yes

Staff: According to curriculum for apprenticeship as a body and vehicle mechanic and a body and vehicle construction mechanic.

This Mounting Instruction is part of the delivery and an important help for successful mounting. Therefore, it must be available to the mechanic during the mounting works.

Furthermore, the assembly guidelines of the applicable vehicle producers must be obeyed.

Copyright:

The copyright for this mounting instructions is reserved by TSE Trailer System Engineering GmbH & Co. KG. If you need any further information, do not hesitate to contact us:

TSE Trailer System Engineering GmbH & Co. KG
Bei der Mühle 4
72365 Ratshausen
Germany
Phone: +49 (0)7427 / 92 33-0
Fax: +49 (0)7427 / 92 33-75
Email: verkauf@tse-trailersystems.de
Homepage: www.tse-trailersystems.de

Instruction and training support

As an employer, you are obliged to inform and instruct your personnel about existing legal and accident prevention regulations.

The personnel must have understood these instructions, and it must be safeguarded that the instructions are obeyed.

Only in this way you will reach safety and danger awareness of your personnel at work.

Example for training topics

1. About Safety
 - Accident prevention regulations
 - General legislation
 - General safety hints
 - Measures in emergency cases
 - Personal protective equipment
2. Maintenance and repair regulations
 - Correct use of cleaning agents and lubricants
 - Special experience of the mechanic in maintenance, repair, cleaning and upkeep of the product

Hints

Attention:

The surfaces of the TSE modules must not be contaminated with caustic cleaning fluids. Cleaning fluids with the appropriate labeling are aggressive and can cause damage to all component surfaces. These should expressly not be used for gentle cleaning.

Nummer	Symbol
GHS05	corrosivity

**ATTENTION!**

Texts with this symbol will warn you against possible mistakes in mounting and, therefore, against potential material damages.

**HINT!**

Texts with this symbol will give you tips or additional information.

**TIGHTENING TORQUE!**

Texts with this symbol will give you necessary tightening torques.



You need holes!

Texts with this symbol indicate the setting of holes.

Safety

General

Although our products are in accordance with the state of the art, they may pose a risk if:

- they are mounted by unskilled personnel
- they are maintained improperly.

Safety hints

This safety instruction informs you about the products of TSE Trailer System Engineering GmbH & Co. KG. It contains information about maintenance and repair of the parts and their components. The service instruction has only been written for skilled personnel of qualified and authorized specialized companies in motor vehicle crafts. The service instruction is not applicable for other target groups.

We want to support specialized companies with the present mounting instruction during the mounting works with our products.

TSE Trailer System Engineering GmbH & Co. KG accepts no liability for the installation of inapplicable or unreleased parts in their products.

Defects due to wrong handling, aggressive cleaning agents use of force or subsequent changes of the delivered product or single components of it, as well as non-observance of the safety hints and consequential damages caused thereby, are not covered by our warranty.

Only use unchanged original parts and accessories supplied by the manufacturer.

We do not accept any warranty for the correctness, completeness or currency of the given information. The contents and information of this mounting instruction are neither a warranty or warranted characteristics within the meaning of German legislation, respectively the German Civil Code (Bürgerliches Gesetzbuch (BGB)), nor can they be interpreted as such.

No claims can be derived from provision of information, recommendation or consulting. Liability for damages is generally excluded as far as we are not responsible in the sense of intent or gross negligence, or as far as this does not contradict mandatory legal provisions.

Texts and graphics are subject to our rights of use; copy rights or right of distribution in any form require our agreement.

Mentioned brand names, even if they are not marked as such in every case, are still subject to the regulations of the trade mark law.

If any disputes of legal nature occur from applying information found in this mounting instruction, they shall solely be subject to the regulations of German law.

The Amtsgericht Stuttgart (Local Court in Stuttgart) is deemed to be agreed on as place of jurisdiction. If some clauses of this declaration about limitation of liability do not or no longer comply with the applicable legal provisions, the validity of the other clauses shall remain unaffected thereof.

Read the information in this mounting instruction carefully. Especially, obey the hints for your own safety.

All technical information, descriptions and pictures shall be valid from the day of their printing - respectively the day of any supplements hereto - on.

We reserve the right to make changes due to steady further development.

No claims can be derived from applications and explanations of this publication.

Safety hints for the technician:

Unauthorized people are not allowed to enter the vehicle and the area around it.

Your working area should be in good order.

Only works which you are commissioned and acquainted with have to be executed.

Increased caution is advisable in dangerous areas.

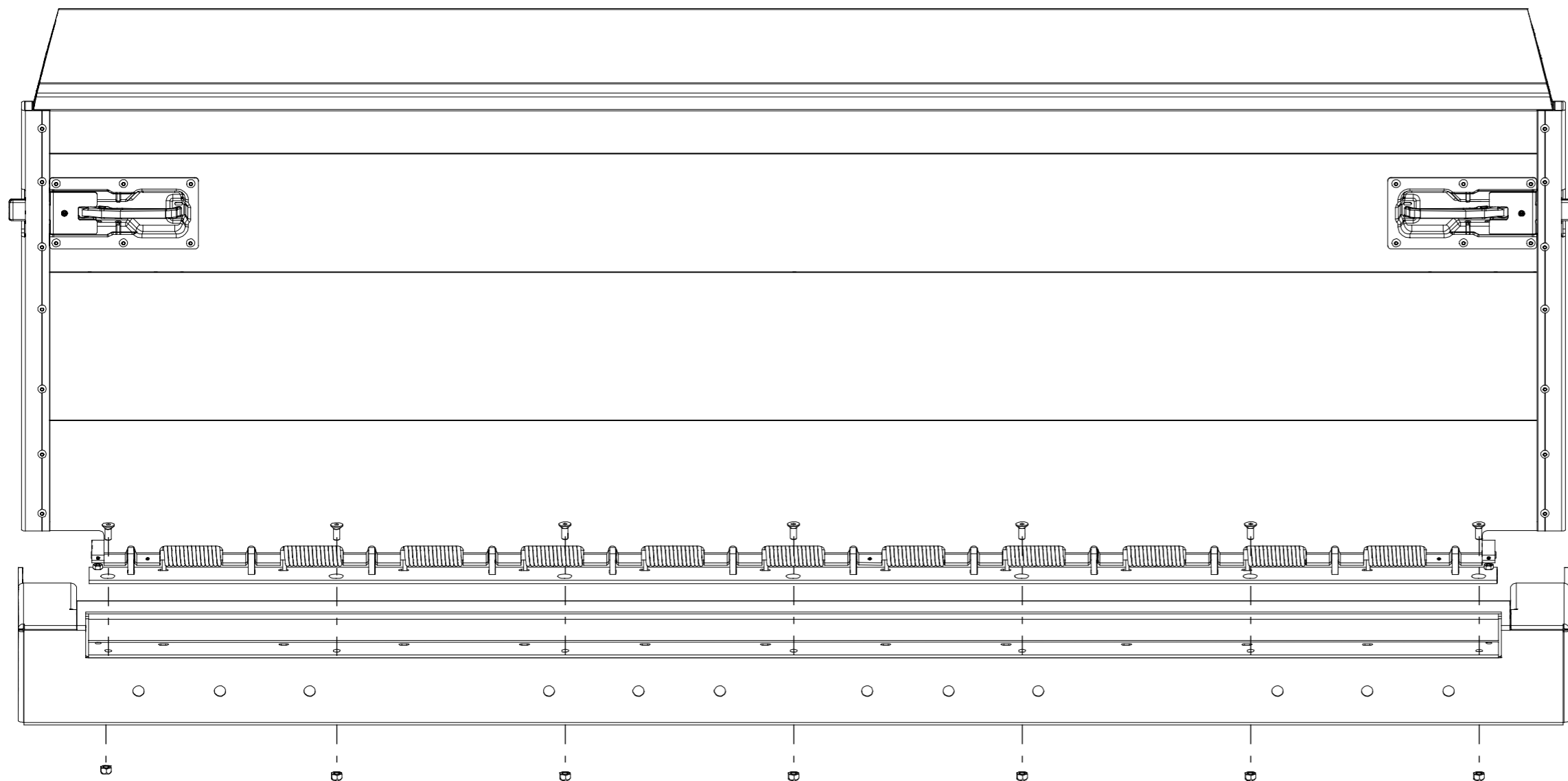
Obey the producer's information and safety hints for the applicable product when you deal with operation materials (oils, grease etc.).



Only applicable lifting devices may be used.


Mounting of drive-over ramp

1

Mount the drive-over ramp



-  Countersunk screw with internal hex M10x25
-  Hexagon nut with full metal clamping part M10

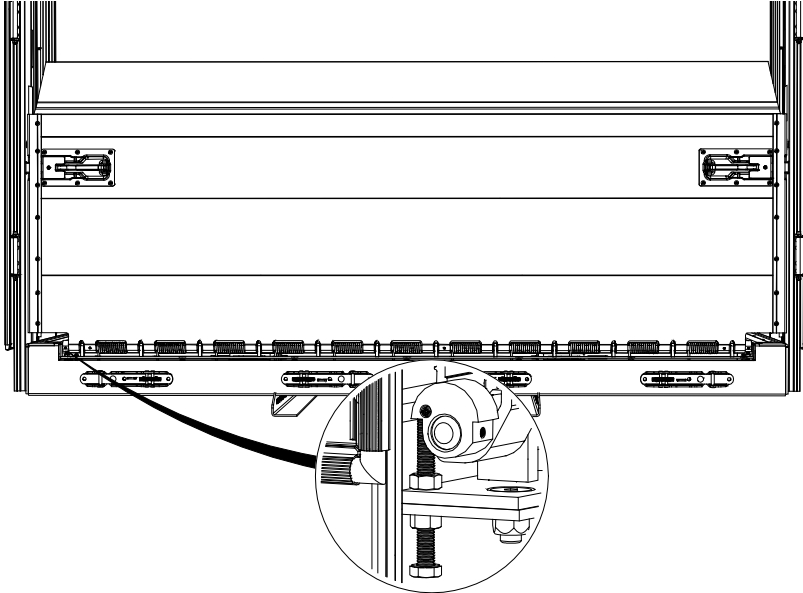
 Torque 71 Nm

Countersunk screws and Hexagon nuts have to be taken from the **Accessories kit TSE no.: 1381664.**

Mounting of adjusting screw and application of the label

1

Setting the adjusting screw



Hexagon screw fully threaded
M8x70

Hexagon nut M8

Torque 37 Nm

The stop screw must be adjusted in a way that - when closed- the eccentric stop lays on the screw.
Fix with counternut, after having set the screw!

Hexagon screw and hexagon nuts have to be taken from the **Accessories kit**
TSE no.: 1381664.

2



The label has to be fixed at both stanchions.
The label has to be taken from **Accessories kit**
TSE no.: 1381664



Revision levels

Revisions level	Kind of change	Date	Name
00	New creation of mounting instruction	05 Sept 2018	Laib / Maier
01			
02	Corrected tightening torques	29 September 2020	Boll
03	Page 4 changed	23.11.2020	Boll

Erstellt	Geprüft und Freigegeben
Datum: Name/Abt. Unterschrift	Datum: 29.09.2020 Name/Abt. U.Boll
Dokument: FB45120A	